

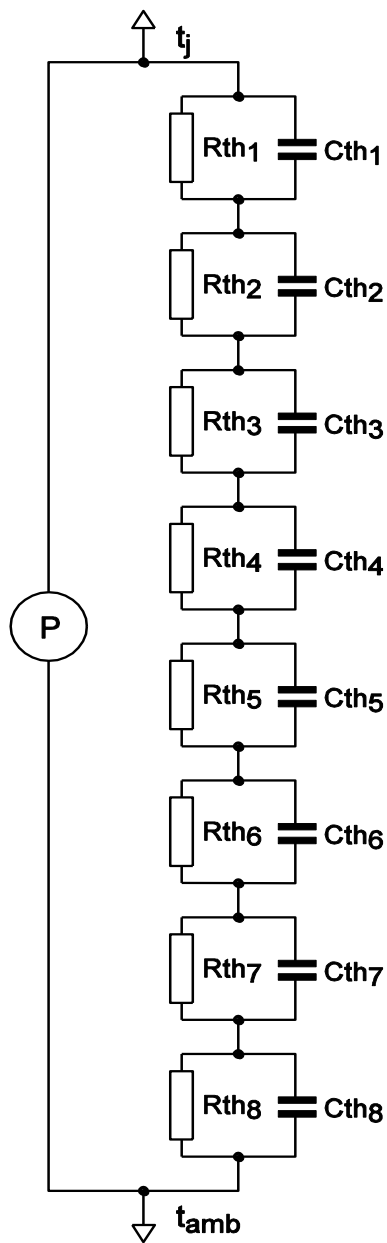
## SPICE thermal model

BUK963R3-60E

Symbol	Parameter	Conditions	Min	Typ	Max	Unit
$R_{th(j-mb)}$	thermal resistance from junction to mounting base		-	-	0.51	K/W

$C_{th1}$	2.085E-04 F
$C_{th2}$	1.582E-03 F
$C_{th3}$	1.124E-03 F
$C_{th4}$	4.066E-03 F
$C_{th5}$	1.379E-02 F
$C_{th6}$	2.696E-02 F
$C_{th7}$	6.892E-01 F
$C_{th8}$	1.806E+02 F

$R_{th1}$	4.200E-04 $\Omega$
$R_{th2}$	8.136E-04 $\Omega$
$R_{th3}$	9.132E-03 $\Omega$
$R_{th4}$	2.352E-02 $\Omega$
$R_{th5}$	8.209E-02 $\Omega$
$R_{th6}$	3.277E-01 $\Omega$
$R_{th7}$	7.932E-02 $\Omega$
$R_{th8}$	8.874E-04 $\Omega$



001aal768

Part: BUK963R3-60E  
 Date: 11/4/2013  
 Model Rth 0.52 K/W